

**EXCELLENCE
SINCE 1929**

Excel Premium Components

Komatsu® / Demag® Hydraulic Excavators

PC3000™ • PC4000™ • PC5500™ • PC8000™



**EXCEL
FOUNDRY
& MACHINE**

Excel Premium Components

Komatsu®/Demag® Shovel

PC3000™ • PC4000™ • PC5500™ • PC8000™



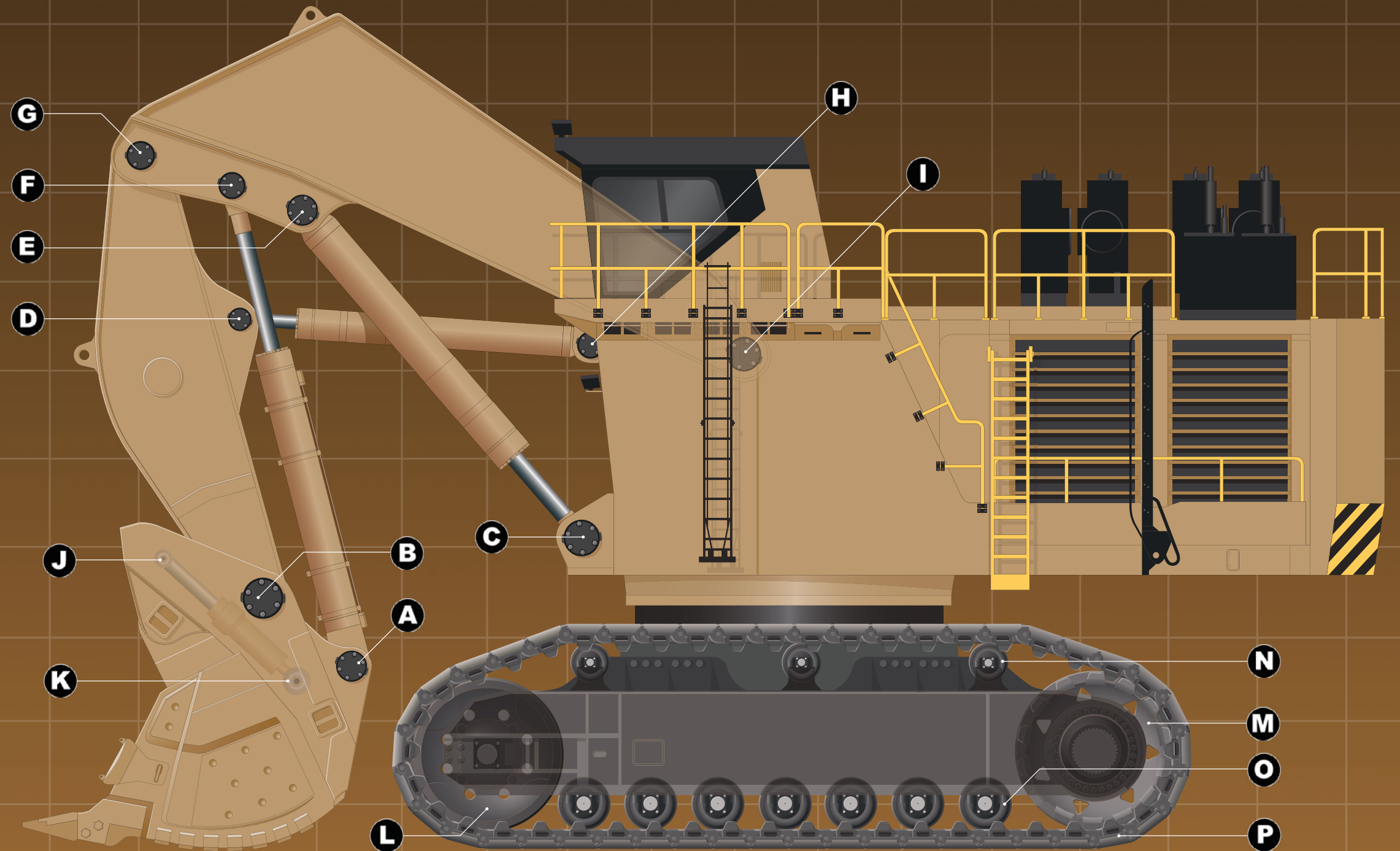
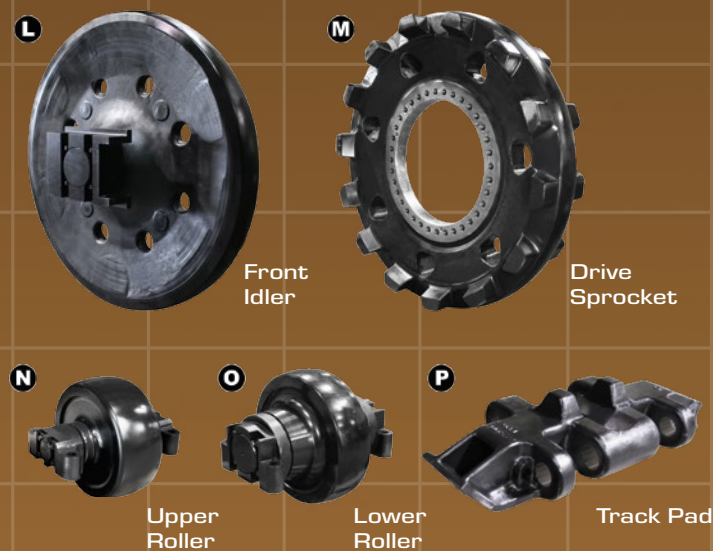
Manufactured Solutions > Delivered



Pins & Bushings

- A** Bucket & Bucket Cylinder
- B** Arm & Bucket
- C** Mainframe & Boom Cylinder
- D** Arm & Arm Cylinder
- E** Boom & Boom Cylinder
- F** Boom & Bucket Cylinder
- G** Boom & Arm
- H** Boom & Arm Cylinder
- I** Mainframe & Boom
- J** Bucket Opening Cylinder and Bottom Bucket
- K** Bucket Opening Cylinder and Bucket Back Wall

Undercarriage Components



Excel Premium Components

Komatsu®/Demag® Backhoe
PC3000™ • PC4000™ • PC5500™ • PC8000™



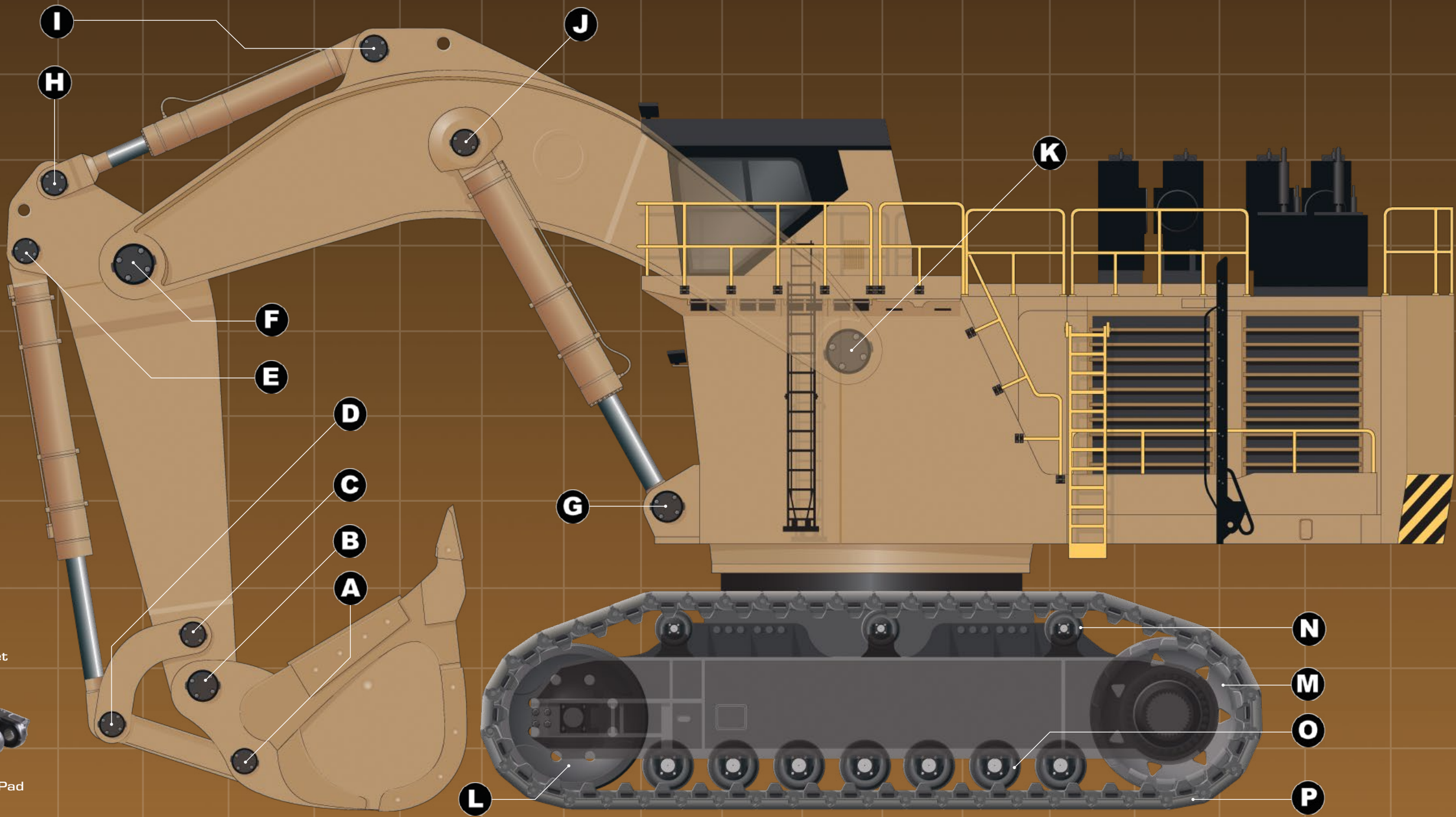
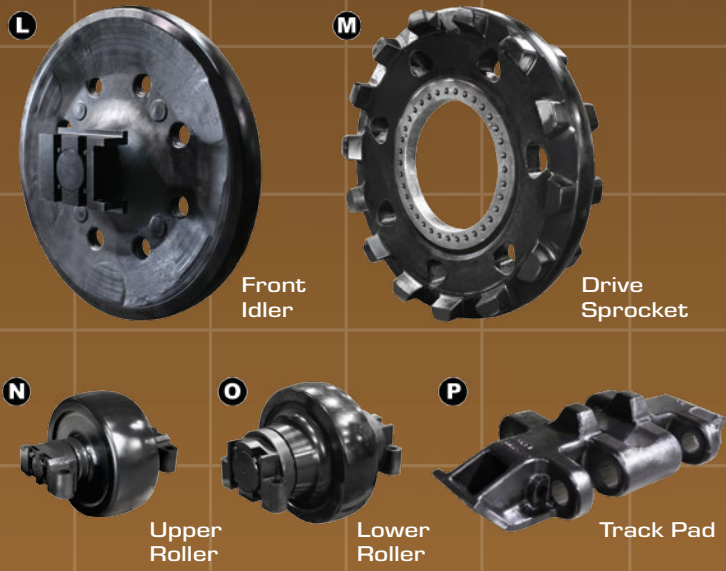
Manufactured Solutions > Delivered



Pins & Bushings

- A** Bucket & Link
- B** Bucket & Stick
- C** Link & Stick
- D** Link & Bucket Cylinder
- E** Bucket Cylinder & Stick
- F** Boom & Stick
- G** Frame & Boom Cylinder
- H** Stick Cylinder & Stick
- I** Stick Cylinder & Boom
- J** Boom Cylinder & Boom
- K** Frame & Boom

Undercarriage Components



Excel Premium Components

Komatsu®/Demag® Shovel & Backhoe

PC3000™ • PC4000™ • PC5500™ • PC8000™



Manufactured Solutions > Delivered



Idler

- Induction hardened for additional strength
- Features Excel's proprietary bronze bushings
- Utilizes mechanical face seals

Tumbler

- Induction hardened for additional strength



Upper/Lower Rollers

- Induction hardened for additional strength
- Features Excel's proprietary bronze bushings
- Utilizes mechanical face seals
- Roller bodies are forged, one-piece components

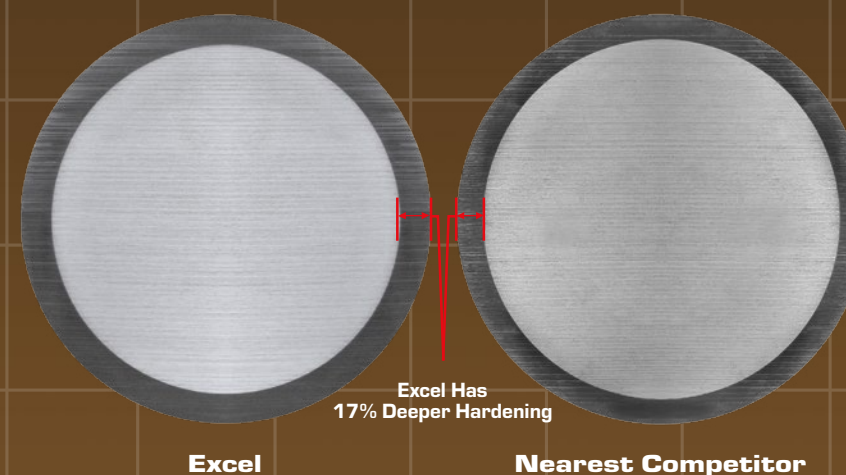
Track Pads

- Features ASTM 128 E1 manganese steel for increased durability and precise life cycle management
- Custom alloy options are available



Induction Hardened Pins

- Outstanding Service Life
- Penetrates Deeper Than Our Competitors



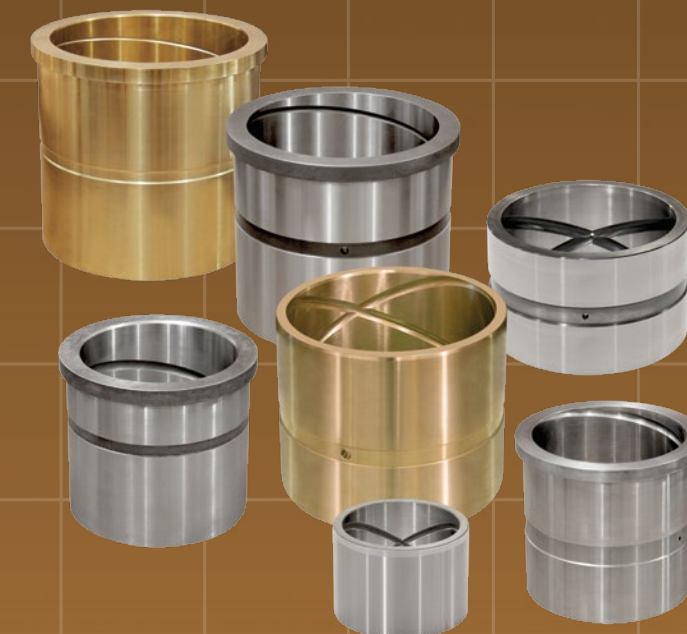
Excel's Pin Configurations



Excel is *the* Bronze & Steel Bushing Expert for Hydraulic Excavators and Shovels

Casting & Machining Premium Components for the Mining Industry for Over 80 Years

Excel's unique, state-of-the-art foundry and machining facility allows us to control lead time, metallurgical specifications, customize alloys, and ensure the use of certified ingot. Even in the tightest turnaround times, Excel comes through with dependability and reliability in the field.



Excel is Committed to 24/7 Support

Wherever You Are...
Whenever You Need Us!

+1.309.347.6155
800.523.9129

1 Excel Way • P.O. Box 400
Pekin, Illinois • 61555-0400 • USA
Fax +1.309.347.1931 • Sales@ExcelFoundry.com



For emergency after-hours support
call 309.202.8300 to speak to an
Excel Professional at any time.



Scan this QR code with
your smartphone or visit
[YouTube.com/ExcelFoundry](https://www.youtube.com/ExcelFoundry)



EXCEL
FOUNDRY
& MACHINE
ExcelFoundry.com

Komatsu® and Demag® are marks of Komatsu Ltd. Excel Foundry & Machine is not an authorized repair facility of nor does it have an affiliation with Komatsu. These terms are used for identification purposes only and are not intended to indicate affiliation with or approval by Komatsu of Excel. All parts are manufactured by, for and warranted by Excel Foundry & Machine and are not manufactured by, purchased from or warranted by the original equipment manufacturer.

© FLSmidth USA Inc. All Rights Reserved.